

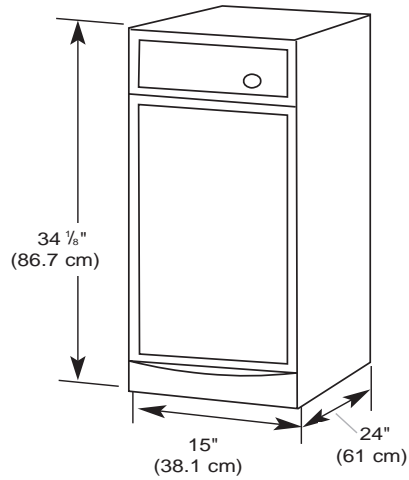
# GLADIATOR™ Garage Compactor

## PRODUCT MODEL NUMBERS

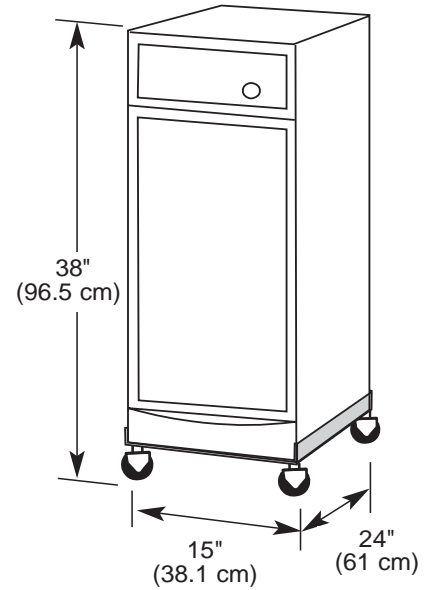
GACP15XXMG

**Electrical:** 115-volt, 60-Hz, AC-only, 15- or 20-amp properly grounded circuit is required. A time-delay fuse or circuit breaker and separate circuit is recommended.

## OVERALL DIMENSIONS

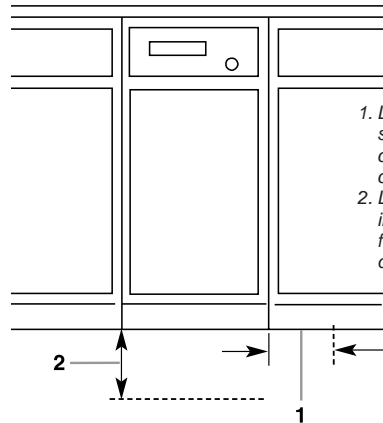


without casters



with casters

## CLEARANCE DIMENSIONS



1. Leave 6 in. (15.2 cm) of clearance space to the right side of the compactor in order to remove the compactor bags.
2. Leave 23 in. (58.4 cm) of clearance in front of the compactor in order to fully open or remove the compactor drawer.