



GLADIATOR[™]
GARAGEWORKS
by Whirlpool Corporation

GARAGE STOOL

Assembly Instructions

ASSEMBLY INSTRUCTIONS

Tool and Parts

TOOLS NEEDED:

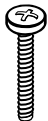
- $\frac{7}{16}$ " Wrench

PARTS SUPPLIED:

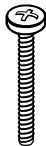
- Upper leg frame
- Lower leg frame
- Smaller ring
- Larger ring
- Swivel plate
- Seat

- Phillips screwdriver

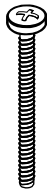
- $\frac{1}{4}$ "—20 hex lock nut (9)
- #14 x $1\frac{1}{2}$ " Sheet metal screw (4)
- $\frac{1}{4}$ "—20 x 1" Pan-head machine screw (5)
- $\frac{1}{4}$ "—20 x $1\frac{1}{4}$ " Pan-head machine screw (4)
- $\frac{1}{4}$ "—20 x $1\frac{1}{4}$ " Pan-head machine screw (4)
- $\frac{1}{4}$ "—20 x $1\frac{3}{4}$ " Pan-head machine screw (4)



$\frac{1}{4}$ "—20 x 1"
Pan-head
machine
screw (5)



$\frac{1}{4}$ "—20 x
 $1\frac{1}{4}$ " Pan-head
machine
screw (4)



$\frac{1}{4}$ "—20 x
 $1\frac{3}{4}$ " Pan-head
machine
screw (4)



#14 x $1\frac{1}{2}$ "
Sheet metal
screw (4)

Stool Use Requirements

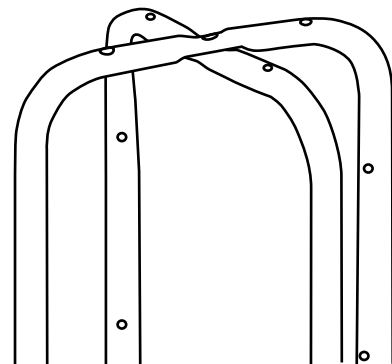
Intended for use in a garage.

Unpack the Stool

1. Unpack the legs, seat and parts from the box. Verify contents. See "Parts Supplied."
2. Remove the cardboard packing and set aside for use during assembly. After completion of assembly, dispose of all packaging materials properly.
NOTE: Place the cardboard packing on a level floor and use during assembly to protect the stool from scratches.

Install Legs and Seat

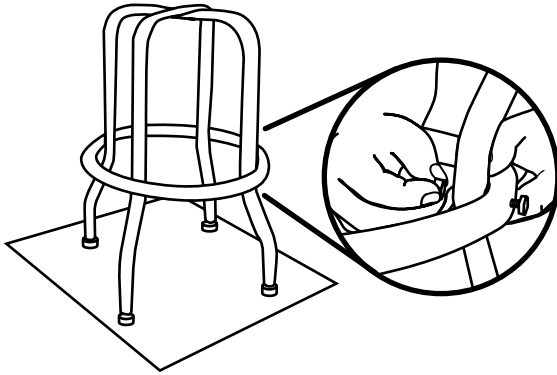
1. Stand the lower leg frame upright with the center flat section facing upward. Place the upper leg frame, with the center flat section facing down, over the top of the lower leg frame as shown. Using a $\frac{1}{4}$ "—20 x 1" pan-head machine screw and $\frac{1}{4}$ "—20 hex nut, insert screw through upper leg section then lower leg section. Attach nut and use fingers to tighten.
NOTE: Do not tighten the screws and nuts completely until after leveling the leg frame.



IT'S TIME TO RETHINK THE GARAGE. [™]

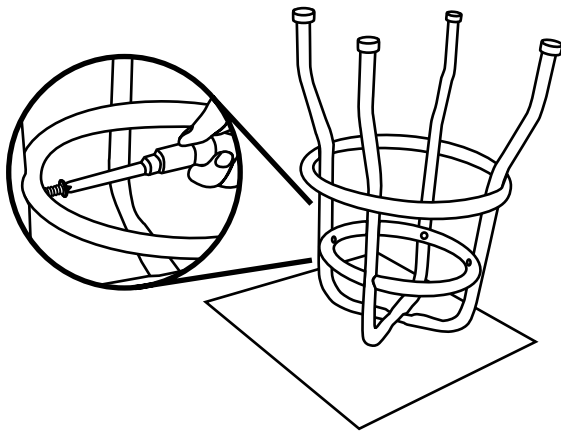
- Keeping the leg assembly upright, position the larger ring over the top of leg frame and move down to align with the lower holes in the sides of the legs. Insert four $\frac{1}{4}$ " x $1\frac{3}{4}$ " pan-head machine screws through the larger ring then through the leg. Attach four $\frac{1}{4}$ "—20 hex lock nuts and finger tighten.

NOTE: Do not tighten the screws and nuts completely until after leveling the leg frame.



- Place the leg frame upside down on the cardboard. Insert the smaller ring into the center of the leg frame and push down until the smaller ring holes align with the holes inside the legs. Insert the four #14 sheet metal screws through the smaller ring and into the legs.

NOTE: Do not tighten the sheet metal screws completely until after leveling the leg frame. See Step 4.

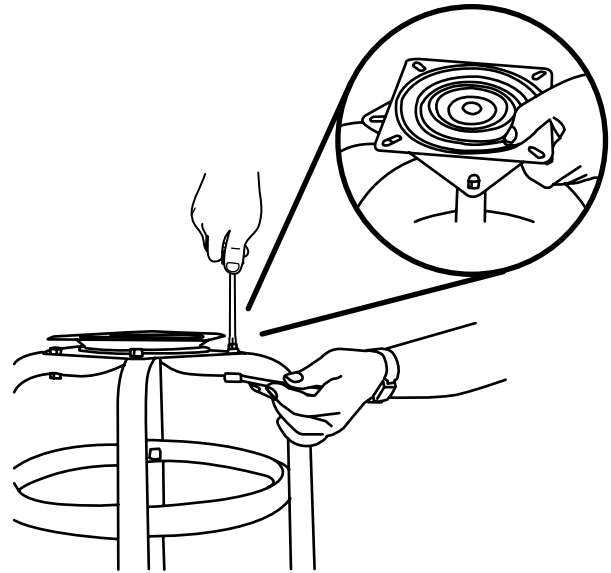


- Turn the leg frame assembly upright and check to be sure it is level. If the assembly rocks back and forth or seems unsteady, tap the legs against the floor until all four legs rest firmly on the floor.

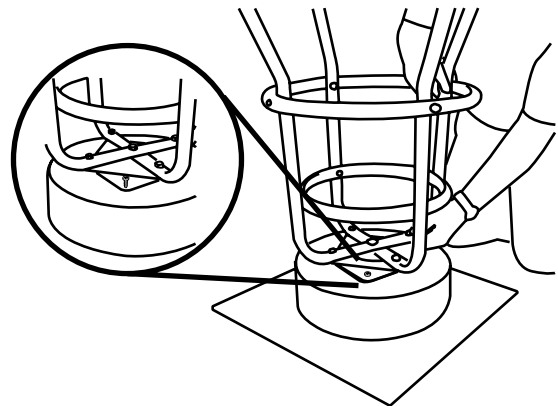
NOTE: When testing the balance of the leg frame assembly, use a level floor surface. If the leg frame assembly remains unbalanced, repeat Step 4.

- When leg frame is balanced, using a Phillips screwdriver and a $\frac{7}{16}$ " wrench securely tighten all bolts and screws.

- Place the swivel plate (flat side up) across the bars on top of the leg frame assembly. Align the swivel plate holes of the plate closest to the frame with the frame holes. Insert four $\frac{1}{4}$ " pan-head machine screws through swivel plate and leg. Secure swivel plate using four $\frac{1}{4}$ "—20 hex lock nuts and tighten securely.



- Place the seat (upholstered side down) on the cardboard to avoid scratching. Turn the leg frame assembly with swivel plate facing down toward the seat and align the swivel plate holes with the seat holes. Fasten the leg frame and swivel plate assembly to the seat using four $\frac{1}{4}$ "—20 x 1" pan-head machine screws. Tighten securely.



Complete the Assembly

Stand the stool upright and place in its final location.

Stool Care

- Wash the stool with a mild liquid detergent and warm water using a soft, clean cloth.
- Rinse completely and dry thoroughly with a soft, clean cloth.

NOTE: To avoid damage to the stool, do not use abrasives, flammable fluids, or harsh chemicals to clean the stool.